

Fig. 1. Lateral view of the JGA25-370 motor (L is specified for each RPM value)

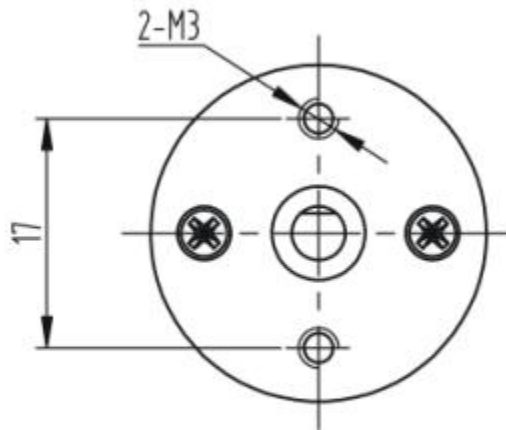


Fig. 2. Front view of the JGA25-370 motor