



RF-310TA

MABUCHI MOTOR

Precious metal-brush motors

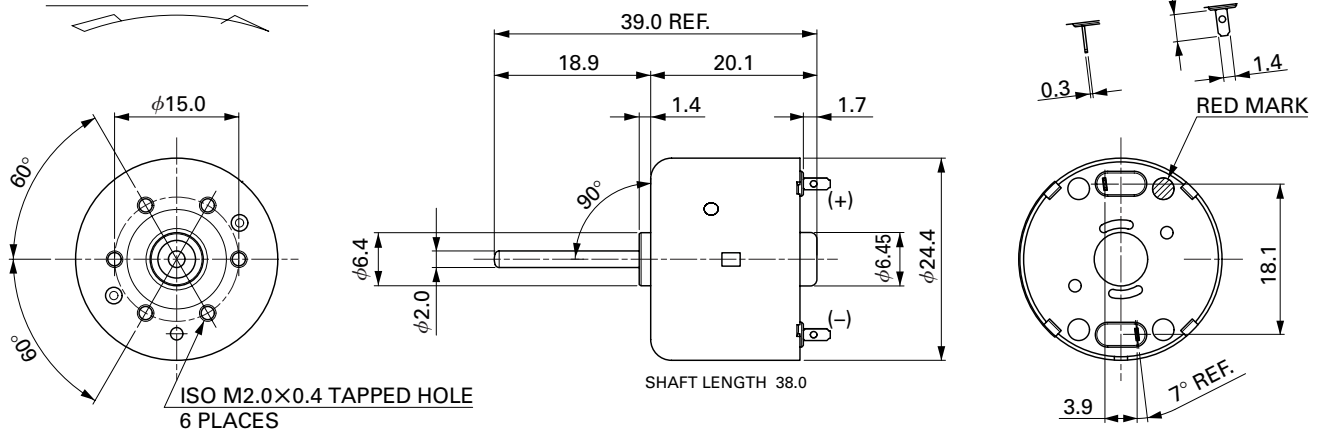
OUTPUT : 0.06W~0.5W (APPROX)

WEIGHT : 29g (APPROX)

Typical Applications Audio and Visual Equipment : CD Player / DVD Player

| MODEL | VOLTAGE | | NO LOAD | | AT MAXIMUM EFFICIENCY | | | | STALL | | | |
|-----------------------|-----------------|---------------|---------|---------|-----------------------|---------|--------|------|--------|--------|------|---------|
| | OPERATING RANGE | NOMINAL | SPEED | CURRENT | SPEED | CURRENT | TORQUE | | OUTPUT | TORQUE | | CURRENT |
| | | | r/min | A | r/min | A | mN-m | g-cm | W | mN-m | g-cm | A |
| RF-310TA-11400 | 1~6 | 2.5V CONSTANT | 2800 | 0.017 | 2190 | 0.061 | 0.32 | 3.3 | 0.073 | 1.47 | 15 | 0.22 |

DIRECTION OF ROTATION



Usable machine screw length 1.5 max. from motor mounting surface.

UNIT: MILLIMETERS

RF-310TA-11400

2.5V

